

Data Sheet | Item Number: 221-613

Conector de îmbinare cu pârgă; pentru toate tipurile de conductori; max. 6 mm<sup>2</sup>; 3 conductori; carcasă transparentă; Temperatură aer ambiant: max 85°C (T85); 6,00 mm<sup>2</sup>; transparent

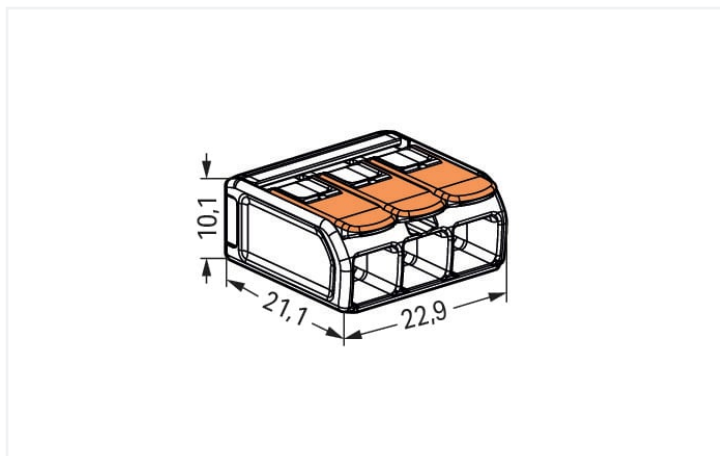


<https://www.wago.com/221-613>



Color:  transparent





Dimensions in mm



Your benefits:

- Ease of use – pull the lever up, insert a conductor and push the lever back down
- Available as 2-, 3- and 5-wire connectors
- Easily terminate conductors from 0.5 to 6 mm<sup>2</sup>
- Connection of all conductor types
- Time savings for installers and device manufacturers
- Quickly install devices with higher power consumption
- Safely install long cable runs with larger conductor cross sections
- Mounting carrier for installation conforms to standards
- Custom carriers are possible

**Notes**

Safety management note	<p><b>NOTICE: Observe installation and safety instructions!</b></p> <ul style="list-style-type: none"><li>• <b>Only to be used by electricians!</b></li><li>• Do not work under voltage/load!</li><li>• Use only for proper use!</li><li>• Observe national regulations/standards/guidelines!</li><li>• Observe technical specifications for the products!</li><li>• Observe the number of permissible potentials!</li><li>• Do not use damaged/dirty components!</li><li>• Observe conductor types, cross-sections and strip lengths!</li><li>• Insert conductor until it hits the product's backstop!</li><li>• Use original accessories!</li></ul> <p><b>To be sold only with installation instructions!</b></p>
------------------------	---

Safety Information	in grounded power lines
--------------------	-------------------------

## Electrical data

Ratings per EN 60664				Approvals per UL 486C			
Overvoltage category	III	III	II	Use group	B	C	D
Pollution degree	3	2	2	Rated voltage	-	600 V	-
Nominal voltage	-	-	450 V	Rated current	-	30 A	-
Rated surge voltage	-	-	4 kV				
Rated current	-	-	41 A				

## Connection data

Clamping units	3	<b>Connection 1</b>	
Total number of potentials	1	Connection technology	CAGE CLAMP®
		Actuation type	Lever
		Connectable conductor materials	Copper
		Nominal cross-section	6 mm <sup>2</sup> / 10 AWG
		Solid conductor	0,5 ... 6 mm <sup>2</sup> / 20 ... 10 AWG
		Stranded conductor	0,5 ... 6 mm <sup>2</sup> / 20 ... 10 AWG
		Fine-stranded conductor	0,5 ... 6 mm <sup>2</sup> / 20 ... 10 AWG
		Strip length	12 ... 14 mm / 0.47 ... 0.55 inci
		Wiring direction	Side-entry wiring

## Physical data

Width	22,9 mm / 0.902 inci
Height	10,1 mm / 0.398 inci
Depth	21,1 mm / 0.831 inci

## Material data

Note (material data)	<a href="#">Information on material specifications can be found here</a>
Color	transparent
Cover color	transparent
Material group	IIIa
Insulation material (main housing)	Polycarbonate (PC)
Flammability class per UL94	V2
Fire load	0.094 MJ
Actuator color	orange
Weight	4 g

## Environmental requirements

Ambient temperature (operation)	+85 °C
Continuous operating temperature	105 °C
Temperature marking per EN 60998	T85

### Commercial data

eCl@ss 10.0	27-14-11-04
eCl@ss 9.0	27-14-11-04
ETIM 9.0	EC000446
ETIM 8.0	EC000446
PU (SPU)	300 (30) Buc.
Packaging type	Box
Country of origin	CH
GTIN	4055143715416
Customs tariff number	85369010000

### Environmental Product Compliance

RoHS Compliance Status	Compliant, No Exemption
------------------------	-------------------------

### Approvals / Certificates

#### General approvals



Approval	Standard	Certificate Name
CB DEKRA Certification B.V.	IEC 60998	NL-81003
cULus_Listed_667F Underwriters Laboratories Inc.	UL 486C	E69654
ENEC 05 DEKRA Certification B.V.	EN 60998	71-123784
UL_Listed_64KA UL International Germany GmbH	UL 467	E201573

#### Declarations of conformity and manufacturer's declarations

Approval	Standard	Certificate Name
EU-Declaration of Confor- mity WAGO GmbH & Co. KG	-	-
UK-Declaration of Confor- mity WAGO GmbH & Co. KG	-	-

### Approvals for marine applications



Approval	Standard	Certificate Name
ABS American Bureau of Ship- ping	EN 60998	18-HG1755093-PDA
DNV GL Det Norske Veritas, Ger- manischer Lloyd	EN 60998	TAE000015T
LR Lloyds Register	EN 60998	LR22207029TA

## Downloads

## Environmental Product Compliance

## Compliance Search

Environmental Product  
Compliance 221-613

## Documentation

## Bid Text

221-613	19.02.2019	xml 3.48 KB	
221-613	23.01.2019	docx 15.05 KB	
ausschreiben.de 221-613			

## CAD/CAE-Data

CAD data		CAE data	
2D/3D Models 221-613		EPLAN Data Portal 221-613	
		ZUKEN Portal 221-613	

## 1 Compatible Products

## 1.1 Optional Accessories

## 1.1.1 General accessories

## 1.1.1.1 Moisture protection

[Item No.: 207-1431](#)

Gelbox; Derivație; pentru cabluri; cu gel;  
Seria 221; conectori de max. 6 mm<sup>2</sup>; fără  
conectori pentru cutia de joncțiune; Mări-  
mea 1; gri

[Item No.: 207-1433](#)

Gelbox; Derivație; pentru cabluri; cu gel;  
Seria 221; conectori de max. 6 mm<sup>2</sup>; fără  
conectori pentru cutia de joncțiune; Mări-  
mea 3; gri

## 1.1.2 Jumper

## 1.1.2.1 Jumper

[Item No.: 221-941/000-006](#)

Șunt; pentru intrare conductor; 2 căi; izo-  
lat; albastru

[Item No.: 221-942/000-006](#)

Șunt; pentru intrare conductor; 2 căi; izo-  
lat; albastru

[Item No.: 221-941](#)

Șunt; pentru intrare conductor; 2 căi; izo-  
lat; gri închis

[Item No.: 221-942](#)

Șunt; pentru intrare conductor; 2 căi; izo-  
lat; gri închis

### 1.1.3 Mounting adapter

#### 1.1.3.1 Mounting accessories



**Item No.: 221-510/000-006**

Suport de montaj; Seria 221 - 6 mm<sup>2</sup>; pt mont. pe șină DIN 35/montare cu șurub; albastru



**Item No.: 221-510/000-053**

Suport de montaj; Seria 221 - 6 mm<sup>2</sup>; pt mont. pe șină DIN 35/montare cu șurub; gri-galben închis

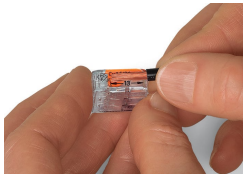


**Item No.: 221-510**

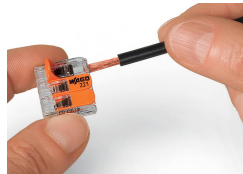
Suport de montaj; Seria 221 - 6 mm<sup>2</sup>; pt mont. pe șină DIN 35/montare cu șurub; portocaliu

### Installation Notes

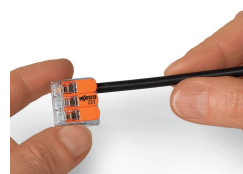
#### Conductor termination



Strip conductor to 12 ... 14 mm.

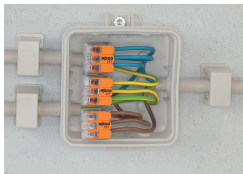


Termination: Lift the lever to open the clamping unit and insert a stripped conductor.



Then, lower the lever to close the clamp.

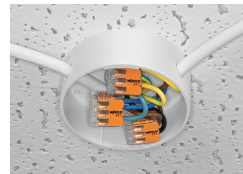
### Application



Wiring fine-stranded conductors in junction boxes.



Custom low-voltage lighting system



Lighting distribution in a ceiling canopy



Pendant light connection in a suspended ceiling



COMPACT Splicing Connectors for All Conductor Types (6 mm<sup>2</sup>), 221 Series