

Data Sheet | Item Number: 221-615

Conector de îmbinare cu pârgă; pentru toate tipurile de conductori; max. 6 mm²; 5 conductori; carcasă transparentă; Temperatură aer ambiant: max 85°C (T85); 6,00 mm²; transparent

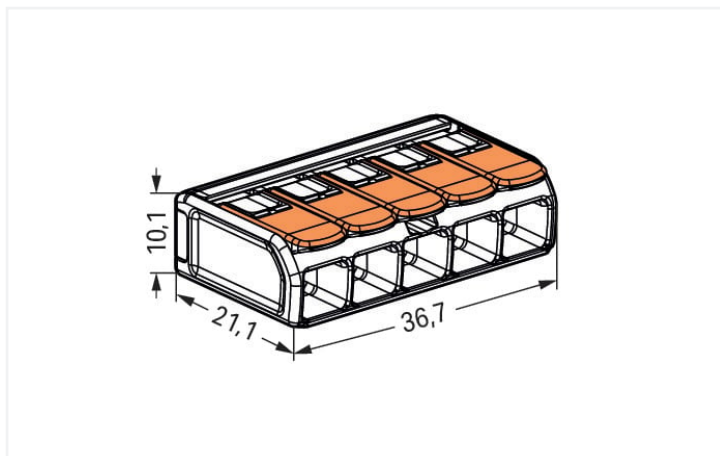


<https://www.wago.com/221-615>



Color: transparent





Dimensions in mm



Your benefits:

- Ease of use – pull the lever up, insert a conductor and push the lever back down
- Available as 2-, 3- and 5-wire connectors
- Easily terminate conductors from 0.5 to 6 mm²
- Connection of all conductor types
- Time savings for installers and device manufacturers
- Quickly install devices with higher power consumption
- Safely install long cable runs with larger conductor cross sections
- Mounting carrier for installation conforms to standards
- Custom carriers are possible

Notes

Safety management note	<p>NOTICE: Observe installation and safety instructions!</p> <ul style="list-style-type: none">• Only to be used by electricians!• Do not work under voltage/load!• Use only for proper use!• Observe national regulations/standards/guidelines!• Observe technical specifications for the products!• Observe the number of permissible potentials!• Do not use damaged/dirty components!• Observe conductor types, cross-sections and strip lengths!• Insert conductor until it hits the product's backstop!• Use original accessories! <p>To be sold only with installation instructions!</p>
------------------------	---

Safety Information	in grounded power lines
--------------------	-------------------------

Electrical data

Ratings per EN 60664				Approvals per UL 486C			
Overvoltage category	III	III	II	Use group	B	C	D
Pollution degree	3	2	2	Rated voltage	-	600 V	-
Nominal voltage	-	-	450 V	Rated current	-	30 A	-
Rated surge voltage	-	-	4 kV				
Rated current	-	-	41 A				

Connection data

Clamping units	5	Connection 1	
Total number of potentials	1	Connection technology	CAGE CLAMP®
		Actuation type	Lever
		Connectable conductor materials	Copper
		Nominal cross-section	6 mm ² / 10 AWG
		Solid conductor	0,5 ... 6 mm ² / 20 ... 10 AWG
		Stranded conductor	0,5 ... 6 mm ² / 20 ... 10 AWG
		Fine-stranded conductor	0,5 ... 6 mm ² / 20 ... 10 AWG
		Strip length	12 ... 14 mm / 0.47 ... 0.55 inci
		Wiring direction	Side-entry wiring

Physical data

Width	36,7 mm / 1.445 inci
Height	10,1 mm / 0.398 inci
Depth	21,1 mm / 0.831 inci

Material data

Note (material data)	Information on material specifications can be found here
Color	transparent
Cover color	transparent
Material group	IIIa
Insulation material (main housing)	Polycarbonate (PC)
Flammability class per UL94	V2
Fire load	0.138 MJ
Actuator color	orange
Weight	7.1 g

Environmental requirements

Ambient temperature (operation)	+85 °C
Continuous operating temperature	105 °C
Temperature marking per EN 60998	T85

Commercial data

eCl@ss 10.0	27-14-11-04
eCl@ss 9.0	27-14-11-04
ETIM 8.0	EC000446
ETIM 7.0	EC000446
PU (SPU)	150 (15) Buc.
Packaging type	Box
Country of origin	CH
GTIN	4055143715478
Customs tariff number	85369010000

Environmental Product Compliance

RoHS Compliance Status	Compliant, No Exemption
------------------------	-------------------------

Approvals / Certificates

General approvals



Approval	Standard	Certificate Name
CB DEKRA Certification B.V.	IEC 60998	NL-81003
cULus_Listed_667F Underwriters Laboratories Inc.	UL 486C	E69654
ENEC 05 DEKRA Certification B.V.	EN 60998	71-123784
UL_Listed_64KA UL International Germany GmbH	UL 467	E201573

Declarations of conformity and manufacturer's declarations

Approval	Standard	Certificate Name
EU-Declaration of Confor- mity WAGO GmbH & Co. KG	-	-
UK-Declaration of Confor- mity WAGO GmbH & Co. KG	-	-

Approvals for marine applications



Approval	Standard	Certificate Name
ABS American Bureau of Ship- ping	EN 60998	18-HG1755093-PDA
DNV GL Det Norske Veritas, Ger- manischer Lloyd	EN 60998	TAE000015T
LR Lloyds Register	EN 60998	LR22207029TA

Downloads

Environmental Product Compliance

Compliance Search

Environmental Product Compliance 221-615



Documentation

Bid Text

221-615	19.02.2019	xml 3.48 KB	
221-615	23.01.2019	docx 15.40 KB	
ausschreiben.de 221-615			

CAD/CAE-Data

CAD data

2D/3D Models 221-615



CAE data

EPLAN Data Portal
221-615



ZUKEN Portal 221-615



1 Compatible Products

1.1 Optional Accessories

1.1.1 General accessories

1.1.1.1 Moisture protection



Item No.: 207-1432

Gelbox; Derivație; pentru cabluri; cu gel; Seria 221; conectori de max. 6 mm²; fără conectori pentru cutia de joncțiune; Mărima 2; gri

1.1.2 Jumper

1.1.2.1 Jumper



Item No.: 221-941/000-006

Șunt; pentru intrare conductor; 2 căi; izolat; albastru



Item No.: 221-942/000-006

Șunt; pentru intrare conductor; 2 căi; izolat; albastru



Item No.: 221-941

Șunt; pentru intrare conductor; 2 căi; izolat; gri închis



Item No.: 221-942

Șunt; pentru intrare conductor; 2 căi; izolat; gri închis

1.1.3 Mounting adapter

1.1.3.1 Mounting accessories



Item No.: 221-510/000-006

Suport de montaj; Seria 221 - 6 mm²; pt mont. pe șină DIN 35/montare cu șurub; albastru



Item No.: 221-510/000-053

Suport de montaj; Seria 221 - 6 mm²; pt mont. pe șină DIN 35/montare cu șurub; gri-galben închis

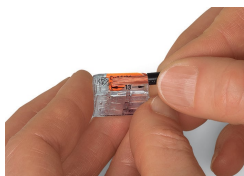


Item No.: 221-510

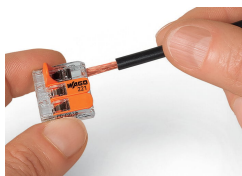
Suport de montaj; Seria 221 - 6 mm²; pt mont. pe șină DIN 35/montare cu șurub; portocaliu

Installation Notes

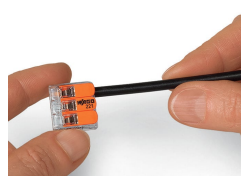
Conductor termination



Strip conductor to 12 ... 14 mm.

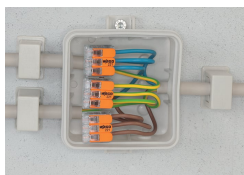


Termination: Lift the lever to open the clamping unit and insert a stripped conductor.



Then, lower the lever to close the clamp.

Application



Wiring fine-stranded conductors in junction boxes.



Custom low-voltage lighting system



Lighting distribution in a ceiling canopy



Pendant light connection in a suspended ceiling



COMPACT Splicing Connectors for All Conductor Types (6 mm²), 221 Series